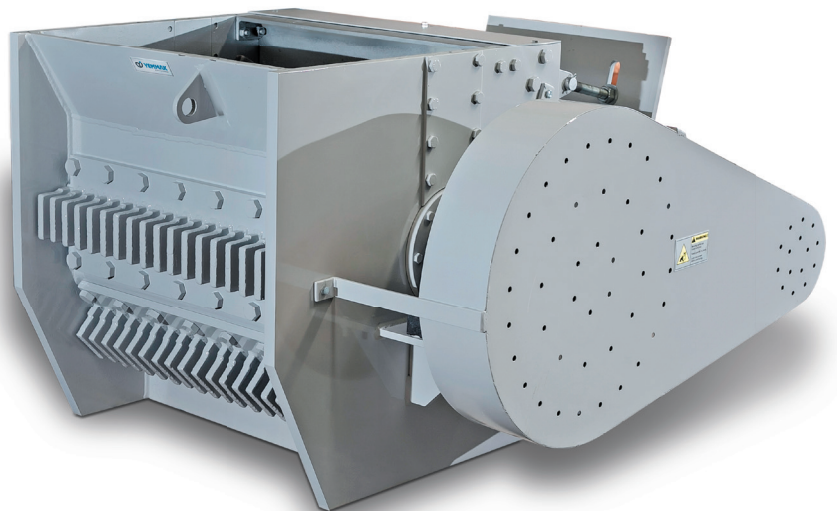


SINGLE SHAFT CRUSHER

FEATURES

- Long lasting
- Long-term effective use advantage
- Durable steel body structure
- Heavy-duty rolling bearings
- Drum type shaft system
- Grid that can clean the blade gaps system
- Design focusing on operating costs
- Simple operation and compact design
- Spare parts and customer service



RENDERING



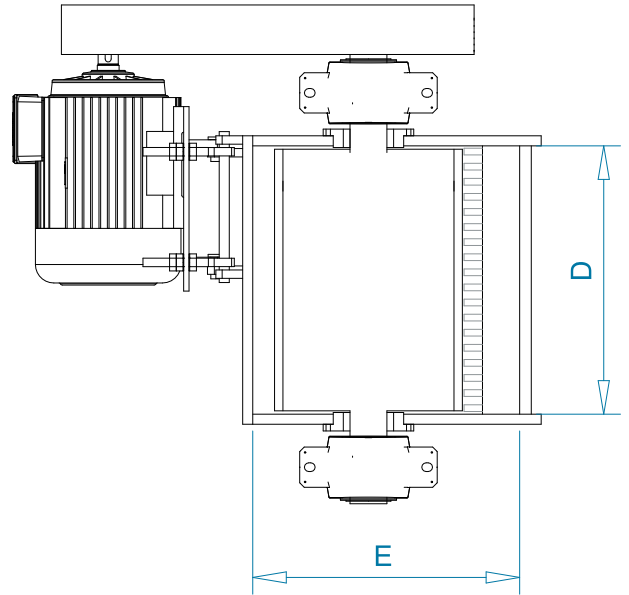
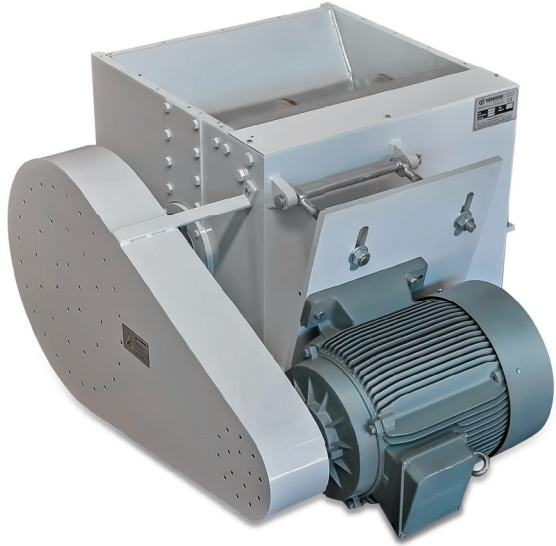
RLB SERIES SINGLE SHAFT CRUSHER

Yemmak RLB series specially developed for rendering process single shaft shredding machines, all kinds of animal bones, offal, skeleton and viscera; for other parts of the process used to reduce to appropriate dimensions; effective and homogeneous. It is a special machine that provides shredding.

Yemmak shredders are mounted on double row spherical roller bearings. It has a bearing, compact and robust rotor. A more homogeneous shredding is provided by mounting two replaceable shredding grids to the body. In addition, if these shredding grids are subjected to mechanical deformations under very long and difficult working conditions, they provide four times longer life thanks to the ability to change the directions of the grids without the need for spare parts.

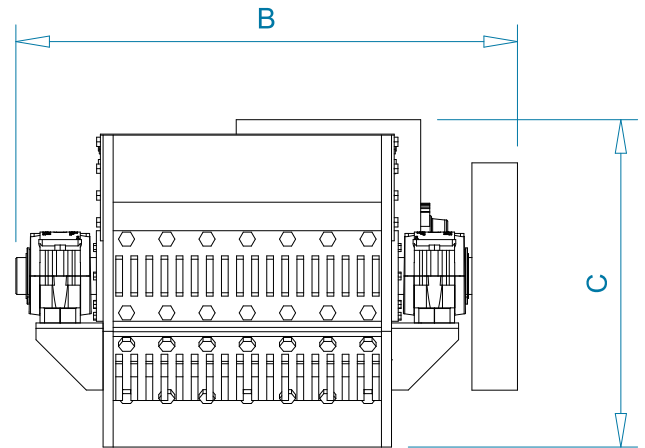
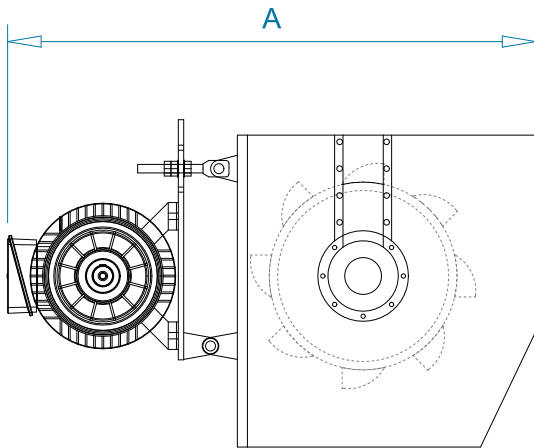
Yemmak shredding machines, even during very long working times, Satisfies its users with very rare maintenance and cleaning processes is doing.

Thanks to the specially hardened shredding knives machine life is extended. Strong body of Yemmak shredder You will find quality and durability together with its structure.



AREAS OF USAGE

- Rendering



MODEL	DIMENSIONS (mm)					ANVIL GAP (mm)	MOTOR (kW)	WEIGHT (Kg)
	A	B	C	D	E			
RLB 560/780	1575	1500	980	800	800	20	37	2500